

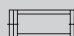

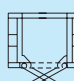

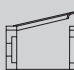

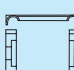

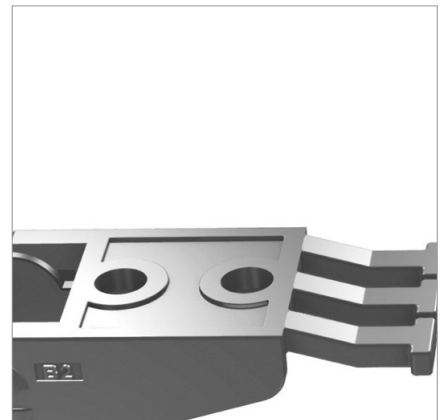
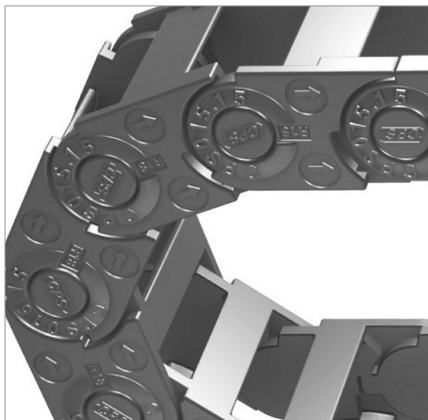


2014 GENERAL CATALOGUE
CPS CABLE CHAIN(MINI)



KINDS AND DIMENSIONS

CPS Cable Chain MINI-Type	Pitch	Bending Radius R 	Weight kg/m	Speed m/sec	Temperature °C	Clearance 				Frame style	Divider possible with frame
						A	B	C	D		
CPS015.06	15	18, 28, 38	0.100	10	-30 ~ +130	12.6	13	6	10		
CPS015.10	15		16.6			13	10	10			
CPS015.15	15		21.6			13	15	10			
CPS015.20	15		26.6			13	20	10			
CPS020.15	20	28, 38, 48	0.24	10	-30 ~ +130	24	20	15	14.5		
CPS020.20	20		29			20	20	14.5			
CPS020.30	20		39			20	30	14.5			
CPS020.40	20		49			20	40	14.5			
CPS030.15	30	38, 48, 75, 100	0.38	10	-30 ~ +130	29	26	15	19		
CPS030.25	30		39			26	25	19			
CPS030.35	30		49			26	35	19			
CPS030.50	30		64			26	50	19			
CPS033.27	33	35, 45, 75, 100, 120	0.55	10	-30 ~ +130	45	31	27	23		
CPS033.37	33		55			31	37	23			
CPS033.47	33		65			31	47	23			
CPS033.67	33		85			31	67	23			
CPS033.77	33		95			31	77	23			



CPS CABLE CHAIN

SHIF CHAIN

SABIN CHAIN

REVOLVING CHAIN

HEIX CHAIN

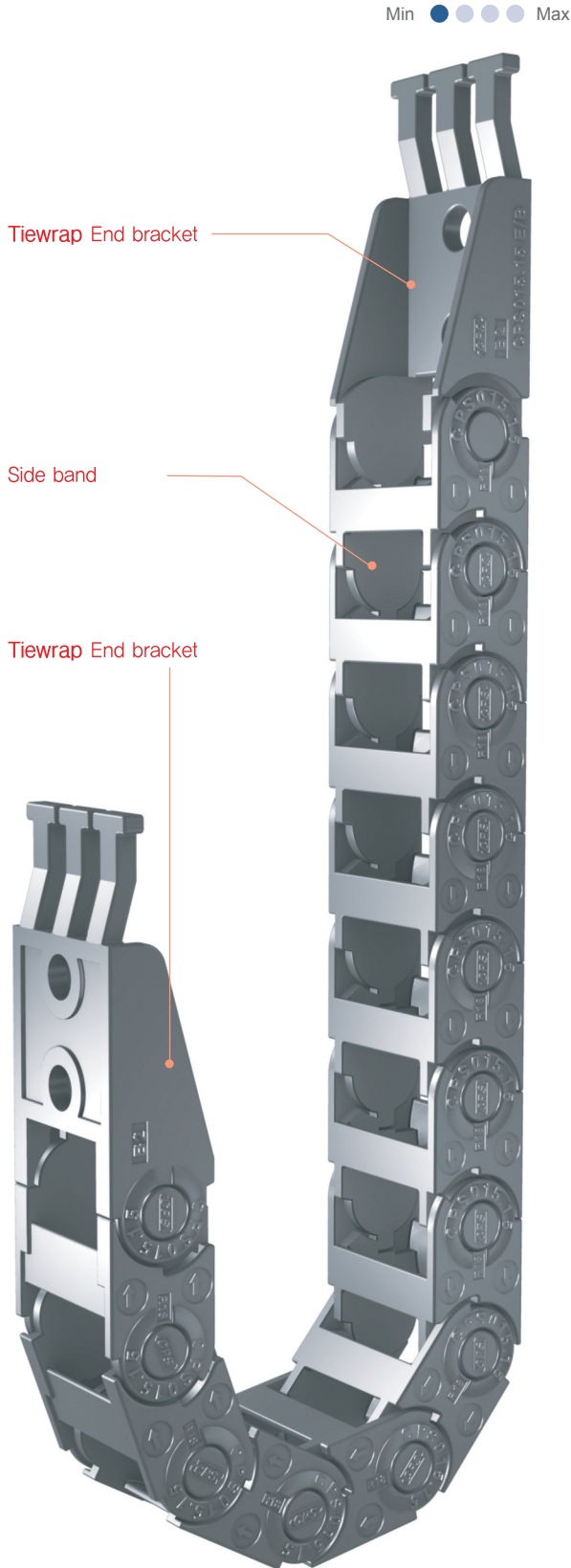
ROBO-KIT

CPSTEX

CPSTIX

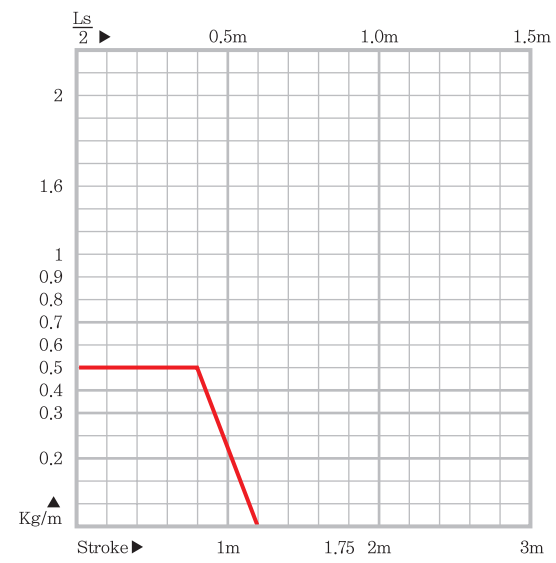


MINI Type CPS 015



MATERIAL

- **Chain material :**
CPS-amide with glass fiber reinforced, UL94-HB
- **Low Noise :** 40 dB (DIN EN 61672-1)
- **Speed :** 10m / sec
- **Temperature :** -30°C ~ +130°C
- **Other installation Length**
Vertical curve above= max 0.8m
Vertical curve below= max 3.0m
Side Mounted, Unsupported= max 0.2m
- **Applications :** Printing Machine, Feeder unit
Count machine.
- **Load diagrams**
self-supporting length :

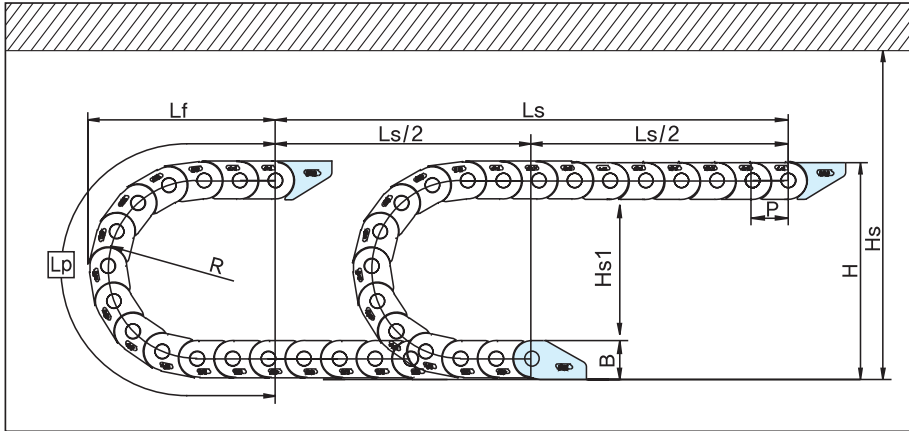


Calculation of the chain length

$$\left[L = \frac{Ls}{2} + Lp \right]$$

MINI Type CPS 015

LAYOUT OF THE CHAIN



(Dimensions in mm)

Bending radius R	18	28	38
Lp	117	148	180
Lf	55	65	75
H	49	69	89

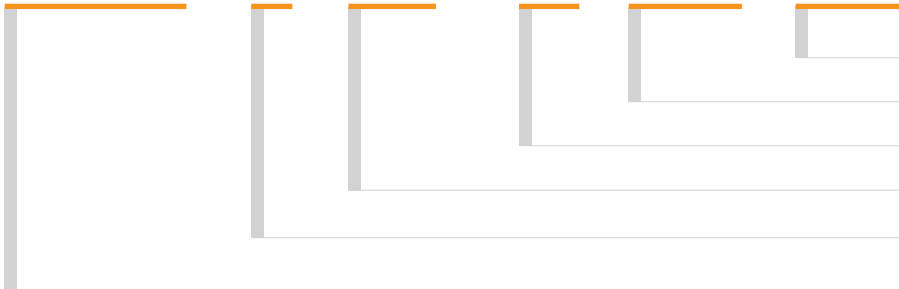
- Ls:** Stroke
- Lp:** Loop Length
- Lf:** Loop Projection
- Hs:** Safe Space

CPS 015 Type

- Pitch P:** 15mm
- Height B:** 13mm
- Height H:** 2R+Bmm
- Hs ≤ H+10mm**
- Hs1 ≤ -10mm**

ORDERING

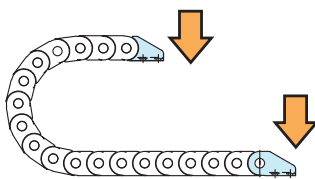
CPS 015 . 10. R28 / B₂ - 550L : 10ST



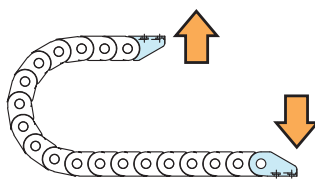
- Q'ty(set)
- Length(mm)
- Bracket Type (B1, B2, B3)
- Bending Radius
- Inside Width

CPS CABLE Chain

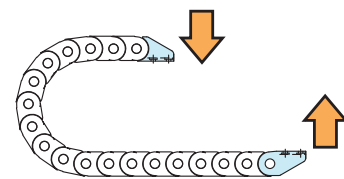
BRACKET TYPE



B1



B2

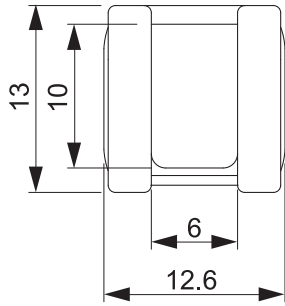


B3

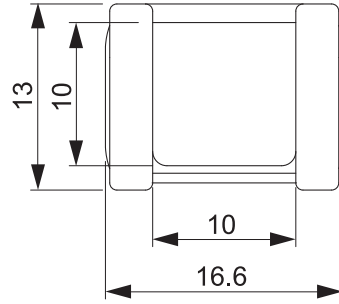


MINI Type **CPS 015**

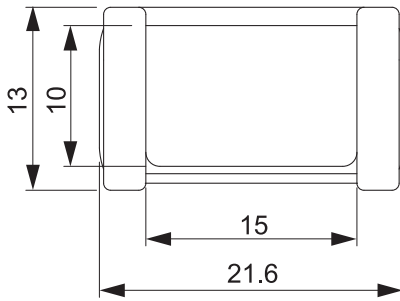
CHAIN CROSS SECTION



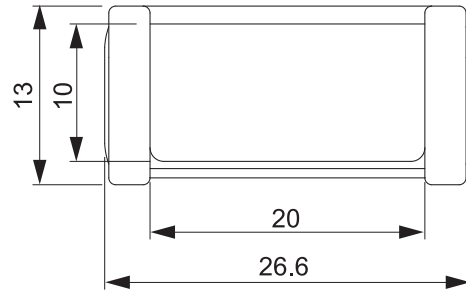
CPS015.06 Type



CPS015.10 Type



CPS015.15 Type



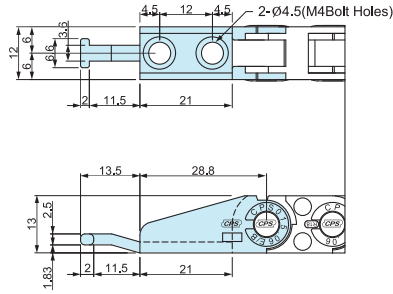
CPS015.20 Type

CHAIN RADIUS, WEIGHT

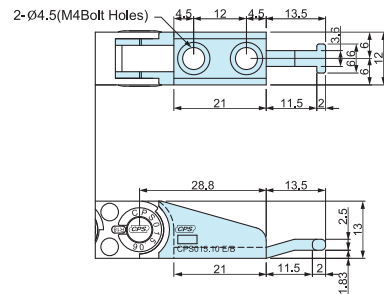
Chain Type	Bending Radius(R)	Weight in kg/m
CPS 015.06	18, 28, 38	0.100
CPS 015.10		0.106
CPS 015.15		0.111
CPS 015.20		0.115

MINI Type CPS 015

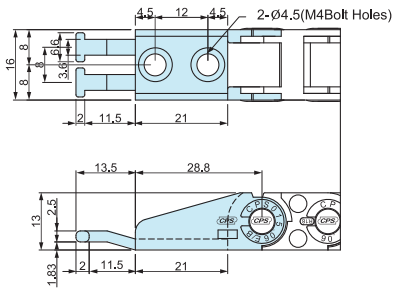
END BRACKET (Tie Wrap Type)



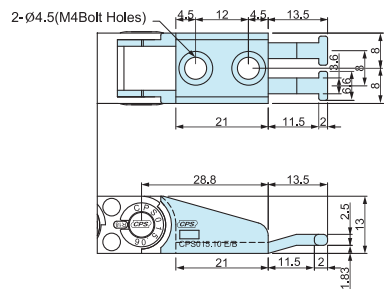
▲ CPS015.06 Fixing point



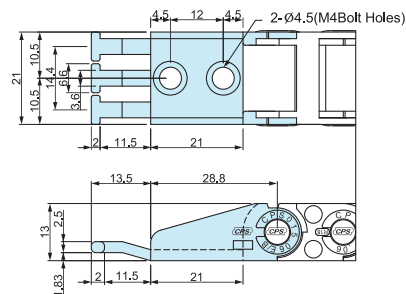
▲ CPS015.06 Moving point



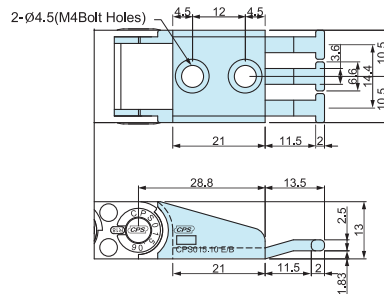
▲ CPS015.10 Fixing point



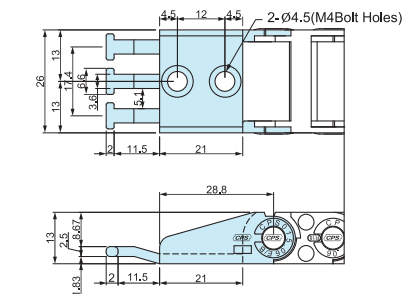
▲ CPS015.10 Moving point



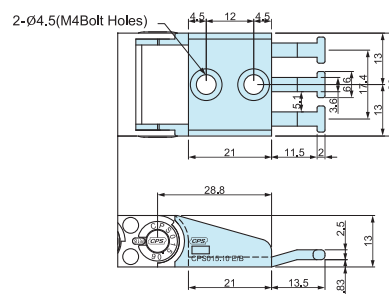
▲ CPS015.15 Fixing point



▲ CPS015.15 Moving point



▲ CPS015.20 Fixing point



▲ CPS015.20 Moving point

CPS CABLE CHAIN

SHIFT CHAIN

SABIN CHAIN

REVOLVING CHAIN

HELIX CHAIN

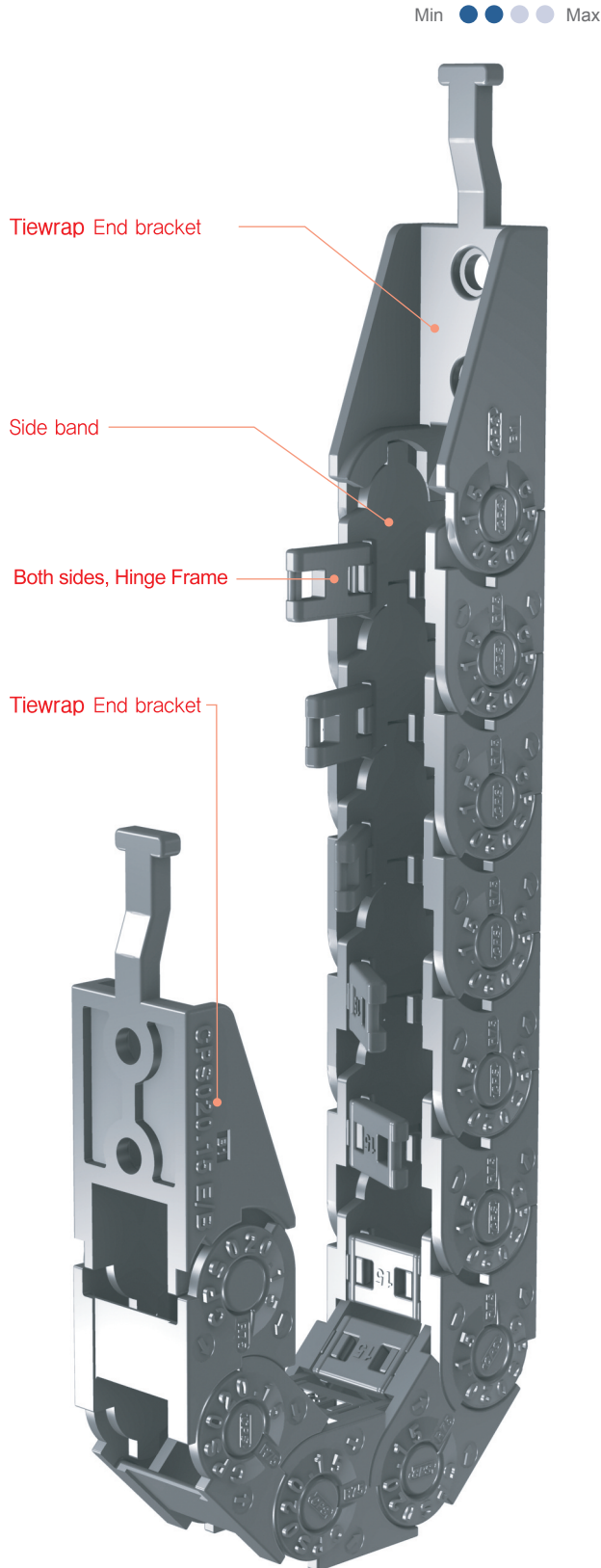
ROBO-KIT

CPFLEX

CPSTIX

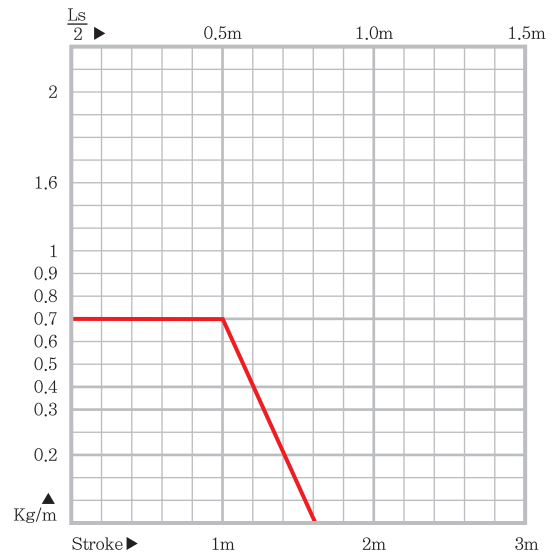


MINI Type CPS 020



MATERIAL

- **Chain material :**
CPS-amide with glass fiber reinforced, UL94-HB
- **Low Noise :** 40 dB (DIN EN 61672-1)
- **Speed :** 10m / sec
- **Temperature :** -30°C ~ +130°C
- **Other installation Length**
Vertical curve above= max 1.0m
Vertical curve below= max 5.0m
Side Mounted, Unsupported= max 0.5m
- **Applications :** Printing Machine, Feeder unit
Count machine
- **Load diagrams self-supporting length :**

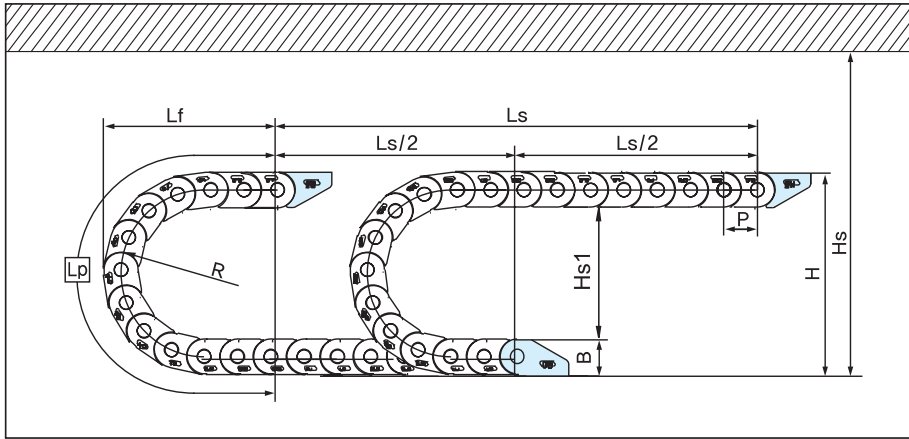


- **Calculation of the chain length**

$$\left[L = \frac{Ls}{2} + Lp \right]$$

MINI Type CPS 020

LAYOUT OF THE CHAIN



- Ls:** Stroke
- Lp:** Loop Length
- Lf:** Loop Projection
- Hs:** Safe Space

CPS 020 Type

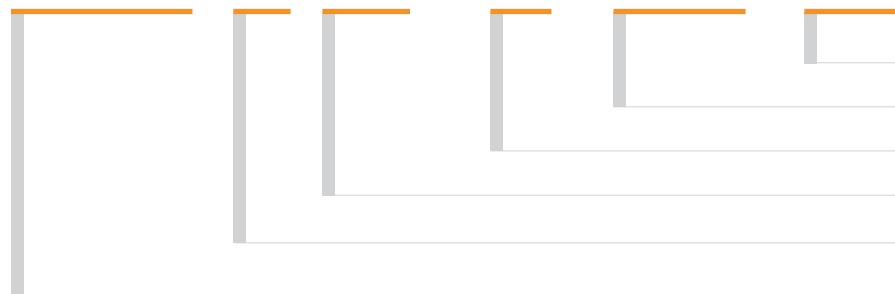
- Pitch P:** 20mm
- Height B:** 20mm
- Height H:** 2R+Bmm
- Hs** ≤ H+15mm
- Hs1** ≤ - 15mm

(Dimensions in mm)

Bending radius R	28	38	48
Lp	170	200	230
Lf	78	88	98
H	76	96	116

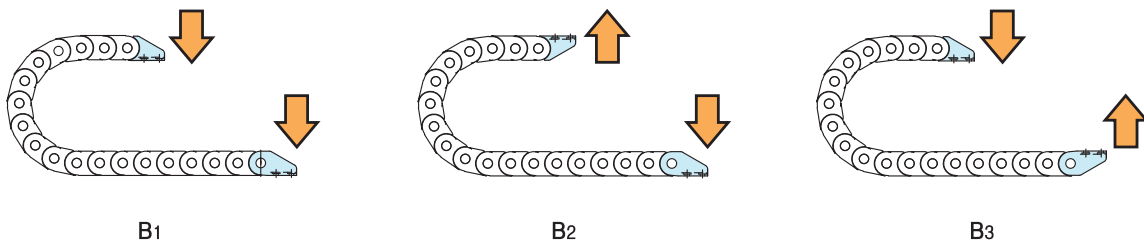
ORDERING

CPS 020 . 30. R28 / B₂ - 1000L : 10ST



- Q'ty(set)
- Length(mm)
- Bracket Type (B1, B2, B3)
- Bending Radius
- Inside Width
- CPS CABLE Chain**

BRACKET TYPE



B1

B2

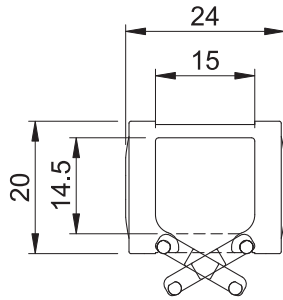
B3



MINI Type **CPS 020**

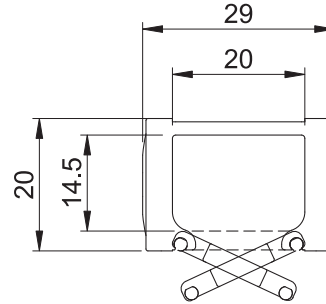
CHAIN CROSS SECTION

Down open hinge frame



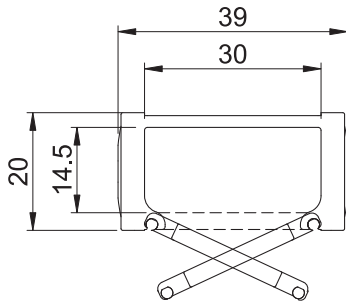
CPS020.15 Type

Down open hinge frame



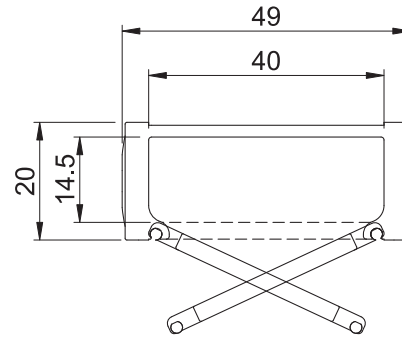
CPS020.20 Type

Down open hinge frame



CPS020.30 Type

Down open hinge frame



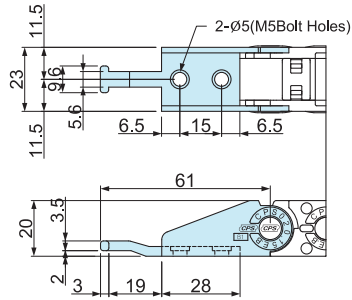
CPS020.40 Type

CHAIN RADIUS, WEIGHT

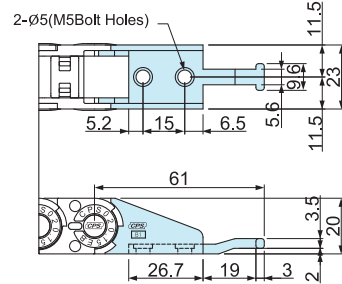
Chain Type	Bending Radius(R)	Weight in kg/m
CPS 020.15	28, 38, 48	0.245
CPS 020.20		0.260
CPS 020.30		0.285
CPS 020.40		0.310

MINI Type **CPS 020**

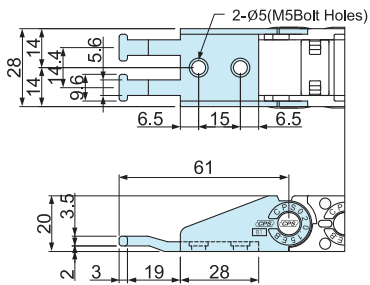
END BRACKET (Tie Wrap Type)



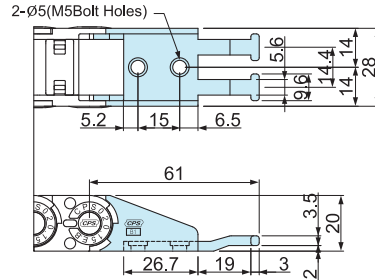
▲ CPS020.15 Fixing point



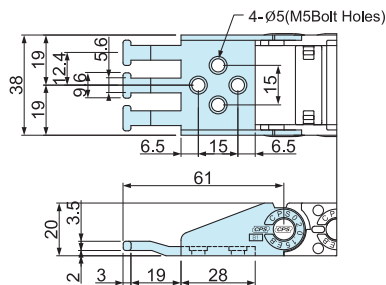
▲ CPS020.15 Moving point



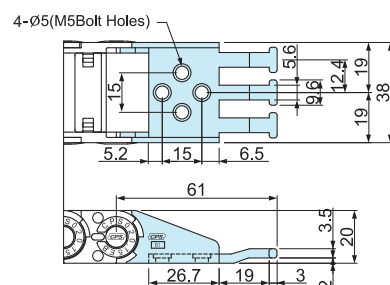
▲ CPS020.20 Fixing point



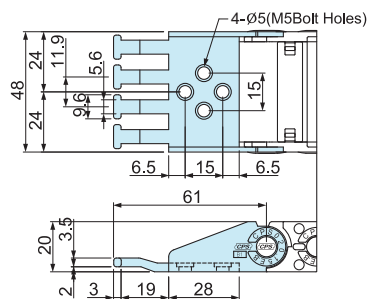
▲ CPS020.20 Moving point



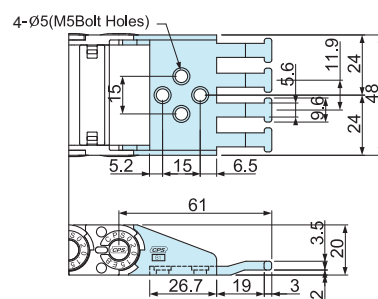
▲ CPS020.30 Fixing point



▲ CPS020.30 Moving point



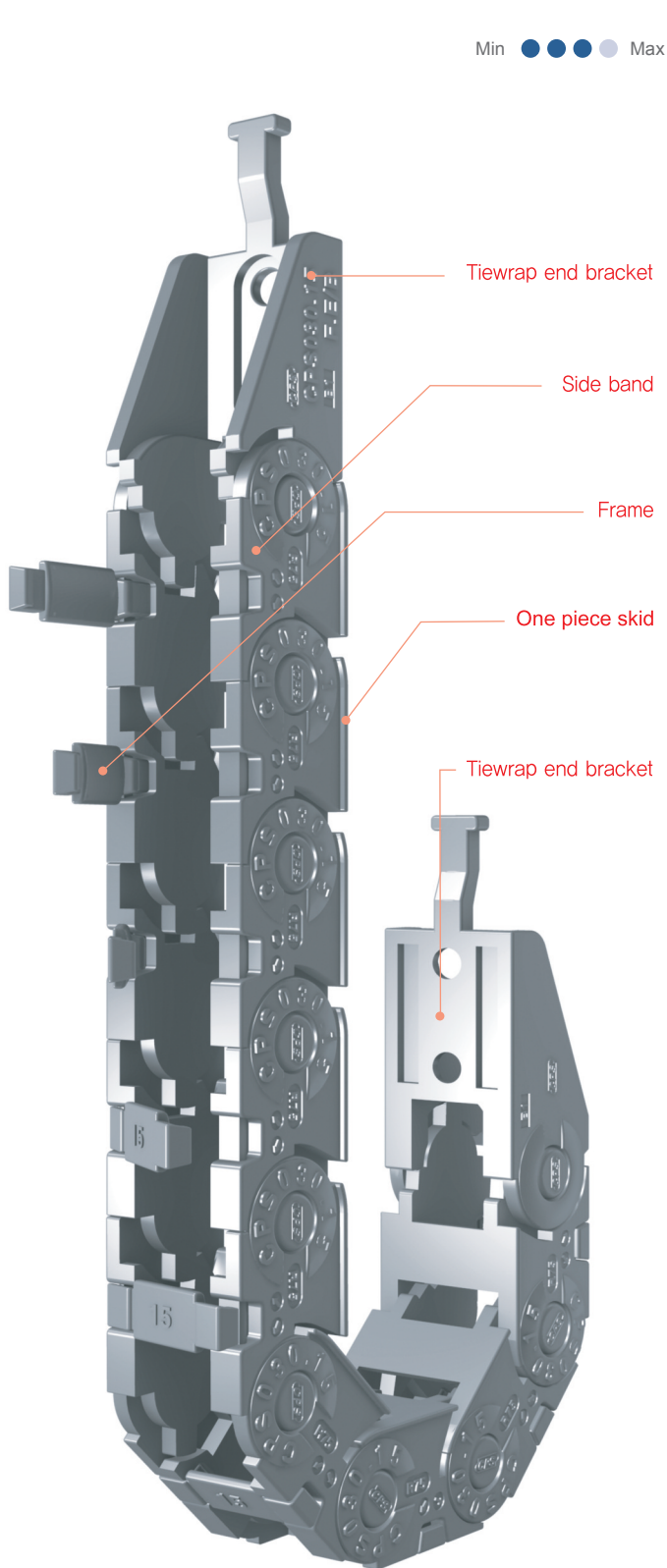
▲ CPS020.40 Fixing point



▲ CPS020.40 Moving point



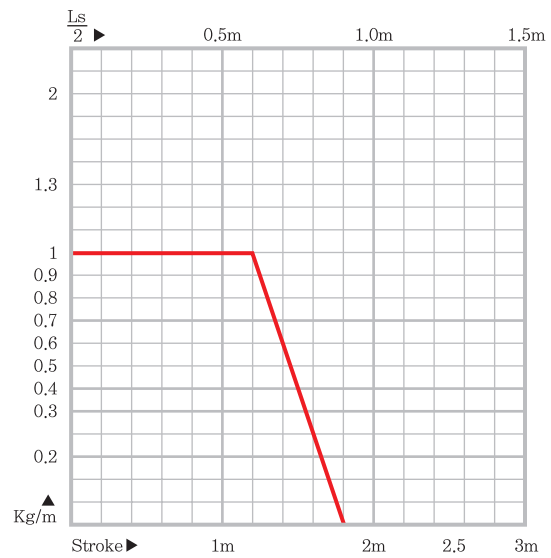
MINI Type CPS 030



MATERIAL

- **Chain material :**
CPS-amide with glass fiber reinforced, UL94-HB
- **Low Noise :** 40 dB (DIN EN 61672-1)
- **Speed :** 10m / sec
- **Temperature :** -30°C ~ +130°C
- **Other installation Length**
Vertical curve above= max 1.5m
Vertical curve below= max 10m
Side Mounted, Unsupported= max 0.6m
- **Applications :**
Gantry robot, Machining center,
Textile machine, Welding machine,
Feeder unit, Assembly loader,
Wood work machine, Fabric machine.

Load diagrams self-supporting length :



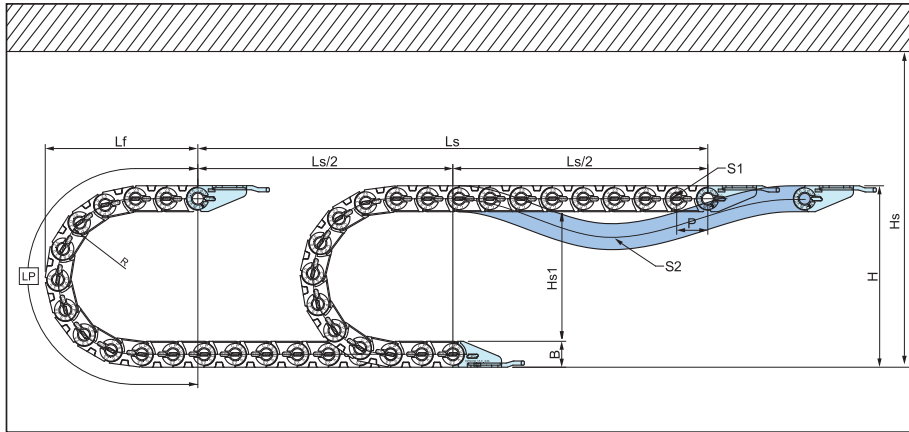
Calculation of the chain length

$$\left[L = \frac{Ls}{2} + Lp \right]$$



MINI Type CPS 030

LAYOUT OF THE CHAIN



- Ls:** Stroke
- Lp:** Loop Length
- Lf:** Loop Projection
- Hs:** Safe Space

CPS 030 Type

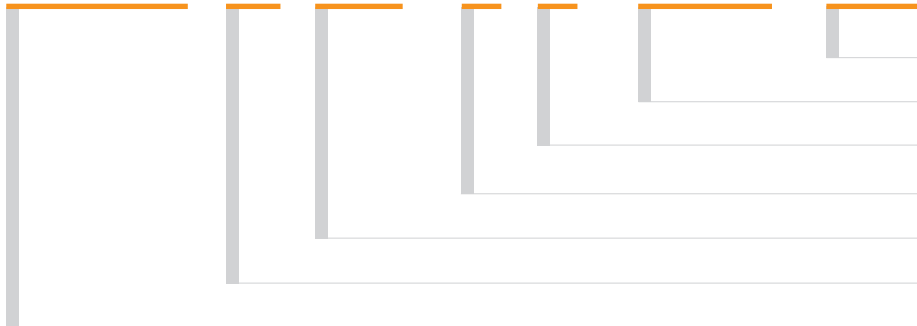
- Pitch P:** 30mm
- Height B:** 26mm
- Height H:** $2R+B$ mm
- Hs** ≤ $H+30$ mm
- Hs1** ≤ -30 mm

(Dimensions in mm)

Bending radius R	38	48	75	100
Lp	240	271	356	434
Lf	110	119	148	173
H	101	121	175	225

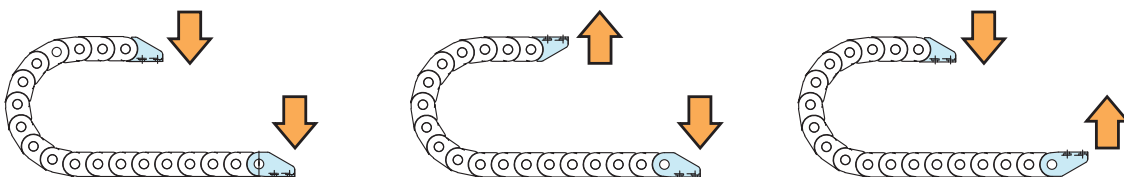
ORDERING

CPS 030 . 35. R75 / B₂ T - 1000L : 10ST



- Q'ty(set)
- Length(mm)
- Tiewrap bracket(T)
- Bracket Type (B1, B2, B3)
- Bending Radius (R)
- Inside Width
- CPS CABLE Chain

BRACKET TYPE



B1

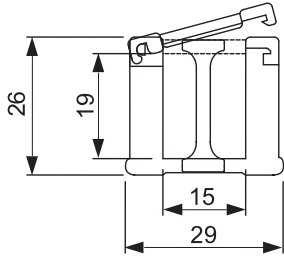
B2

B3

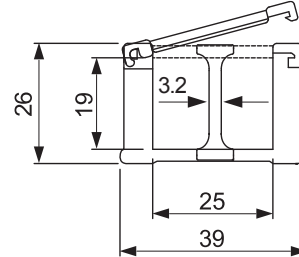


MINI Type **CPS 030**

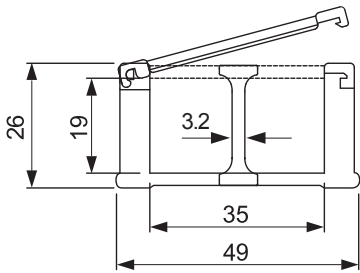
CHAIN CROSS SECTION



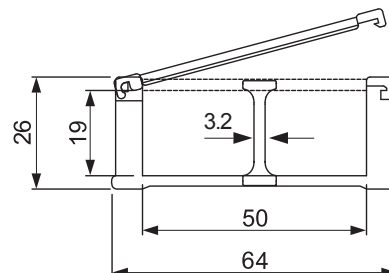
CPS030.15 Type



CPS030.25 Type



CPS030.35 Type

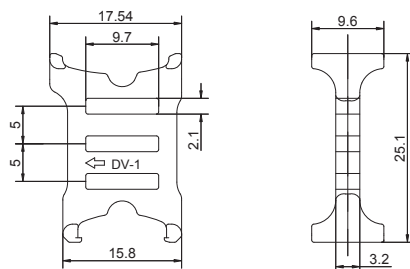


CPS030.50 Type

CHAIN RADIUS, WEIGHT

Chain Type	Bending Radius(R)	Weight in kg/m
CPS 030.15	38, 48, 75, 100	0.38
CPS 030.25		0.40
CPS 030.35		0.42
CPS 030.50		0.44

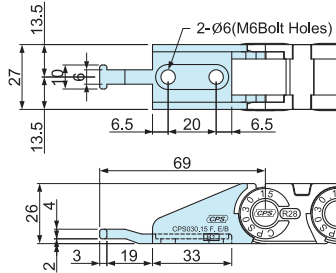
DIVIDERS & SEPARATORS



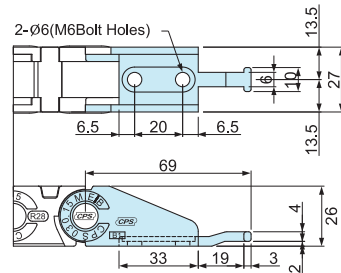
Installing dividers & separators enables cables to divide from each other and also prevent them tangling together.

MINI Type CPS 030

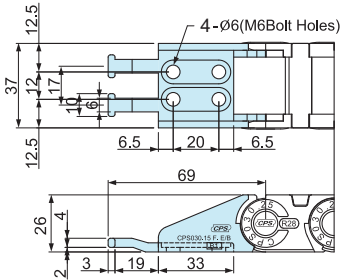
END BRACKET (Tie Wrap Type)



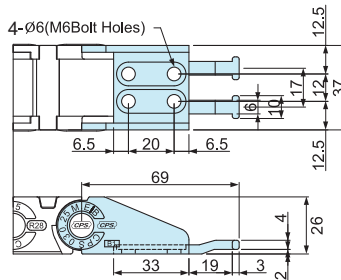
▲ CPS030.15 Fixing point



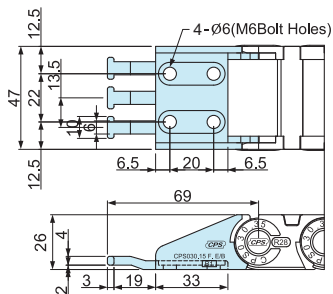
▲ CPS030.15 Moving point



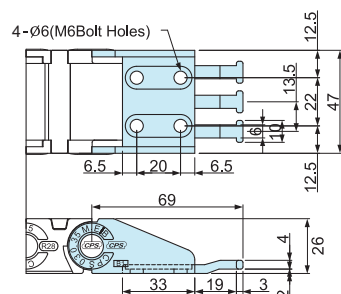
▲ CPS030.25 Fixing point



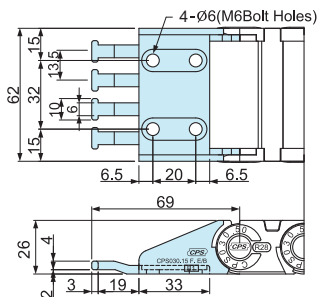
▲ CPS030.25 Moving point



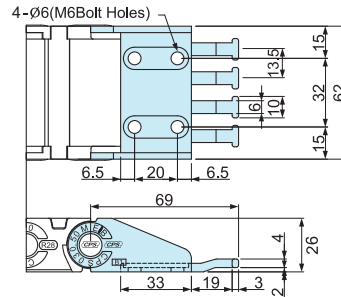
▲ CPS030.35 Fixing point



▲ CPS030.35 Moving point



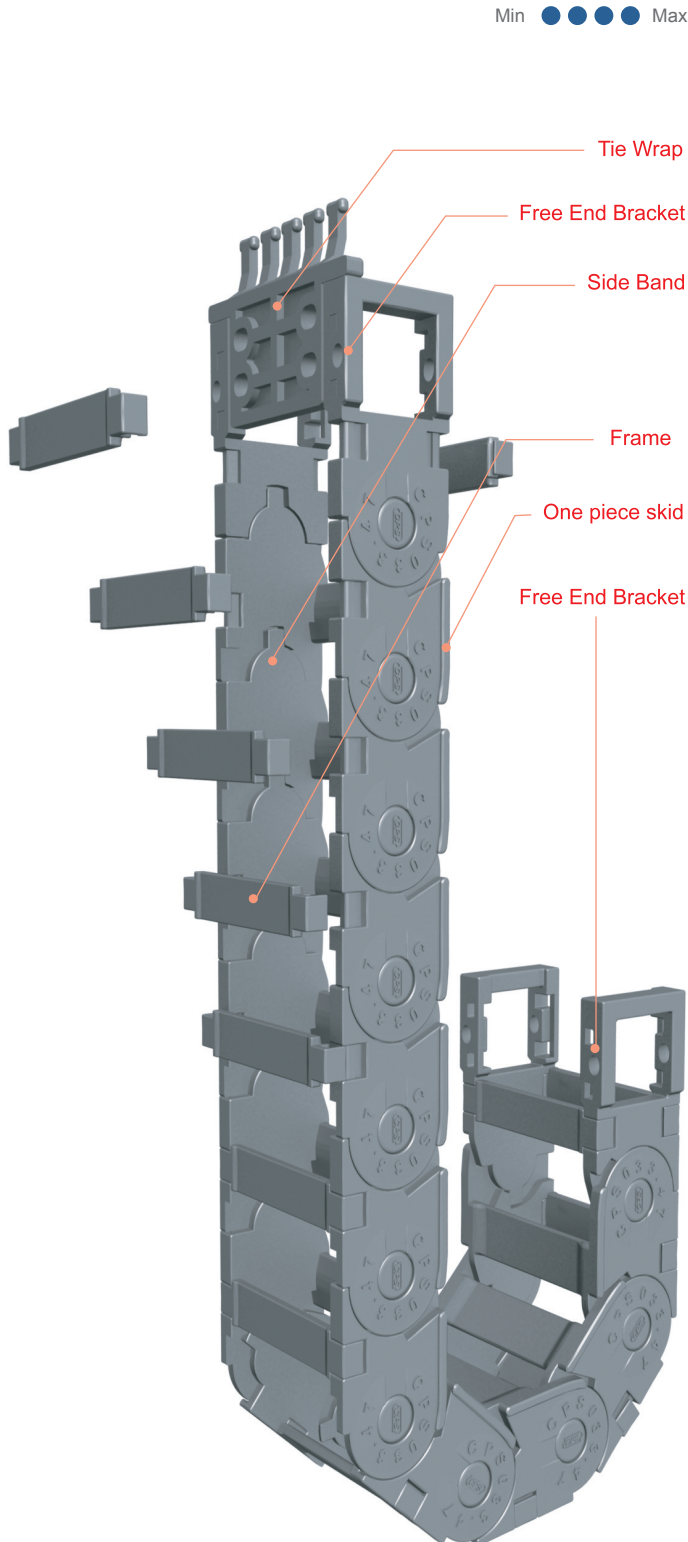
▲ CPS030.50 Fixing point



▲ CPS030.50 Moving point



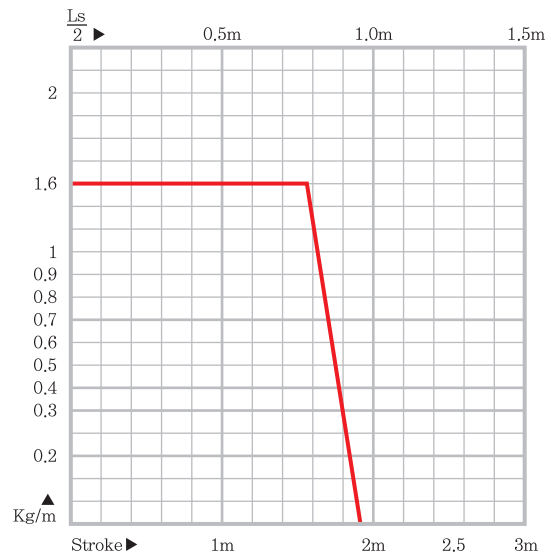
MINI Type **CPS 033**



MATERIAL

- **Chain material :**
CPS-amide with glass fiber reinforced, UL94-HB
- **Low Noise :** 40 dB (DIN EN 61672-1)
- **Speed :** 10m / sec
- **Temperature :** -30°C ~ +130°C
- **Other installation Length**
Vertical curve above= max 1.5m
Vertical curve below= max 10m
Side Mounted, Unsupported= max 0.6m
- **Applications :**
Gantry robot, Machining center,
Textile machine, Welding machine, Feeder unit,
Assembly loader, Wood work machine, Fabric machine.

Load diagrams self-supporting length :



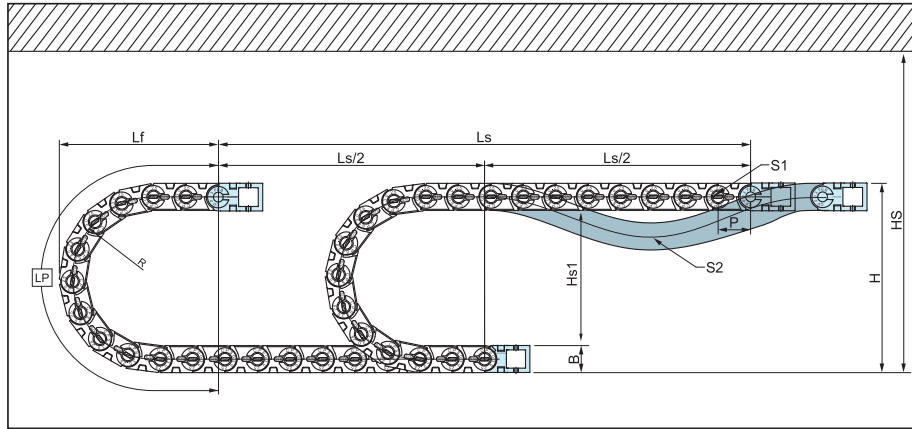
Calculation of the chain length

$$\left[L = \frac{Ls}{2} + Lp \right]$$



MINI Type CPS 033

LAYOUT OF THE CHAIN



- Ls:** Stroke
- Lp:** Loop Length
- Lf:** Loop Projection
- Hs:** Safe Space

CPS 033 Type

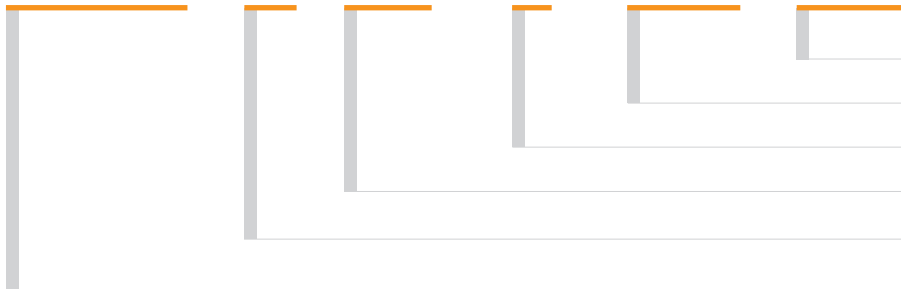
- Pitch P:** 33mm
- Height B:** 31mm
- Height H:** $2R+B$ mm
- Hs** $\leq H+30$ mm
- Hs1** ≤ -30 mm

(Dimensions in mm)

Bending radius R	35	45	75	100	120
Lp	242	274	368	446	509
L f	117	127	157	182	202
H	101	121	181	231	271

ORDERING

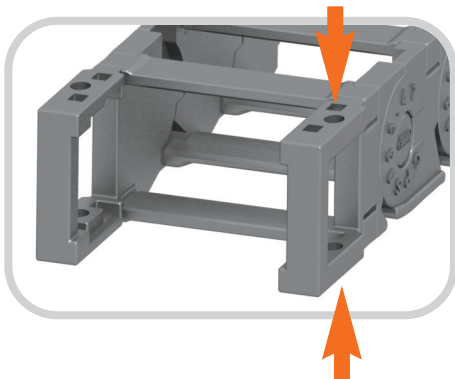
CPS 033 . 37. R75 / E - 900L : 10ST



- Q'ty(set)
- Length(mm)
- Bracket Type (B1, B2, B3)
- Bending Radius (R)
- Inside Width

CPS CABLE Chain

BRACKET TYPE



EEB (Easy End Bracket)

The fixing end part of cable chain which improve the efficiency of mounting condition by unifying the existing Easy End Bracket and Normal End Bracket.

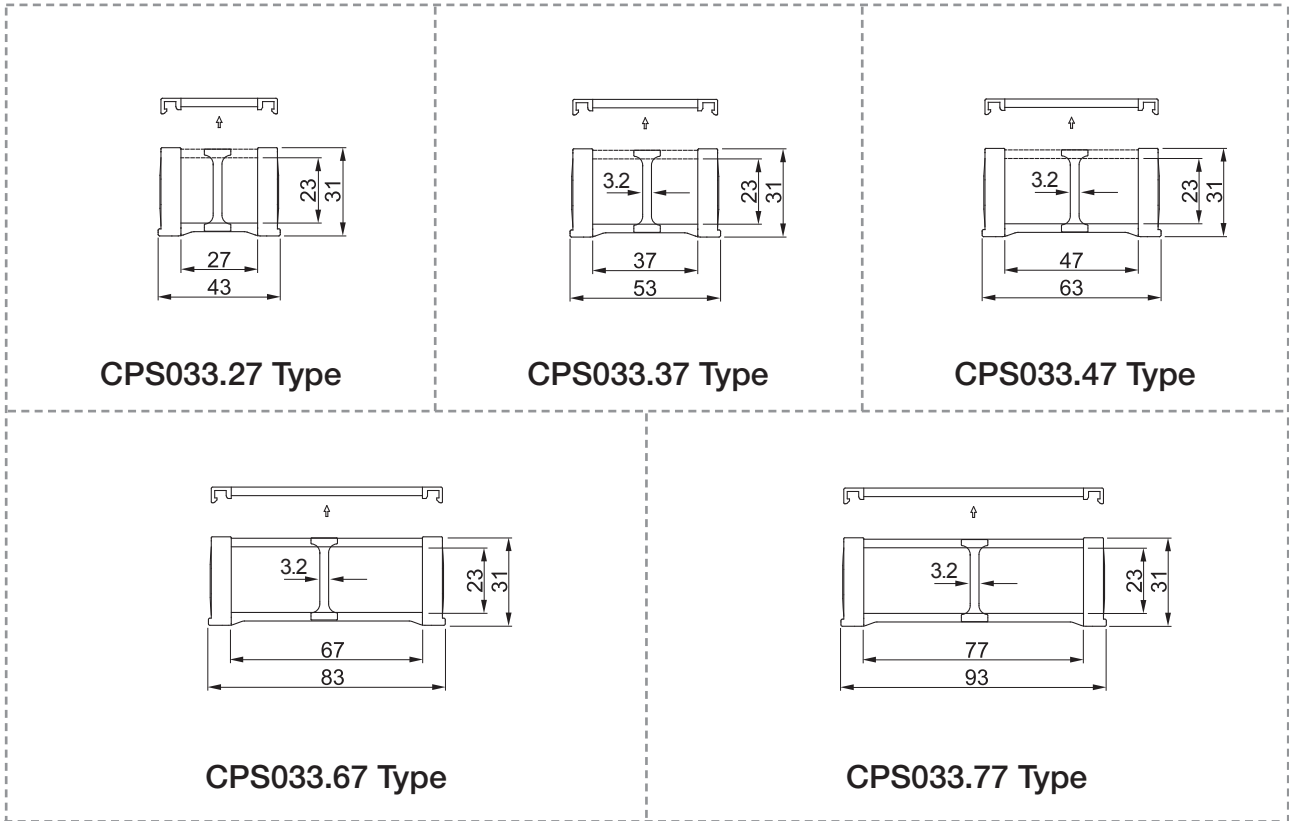
체인을 고정하는 끝부분으로 상·하부 취부의 효율성을 높임.

▶ Above products are patent registered item which can be protected by industrial property right. (상기 제품은 특허등록 제품으로 산업재산권의 보호를 받는 제품입니다.)

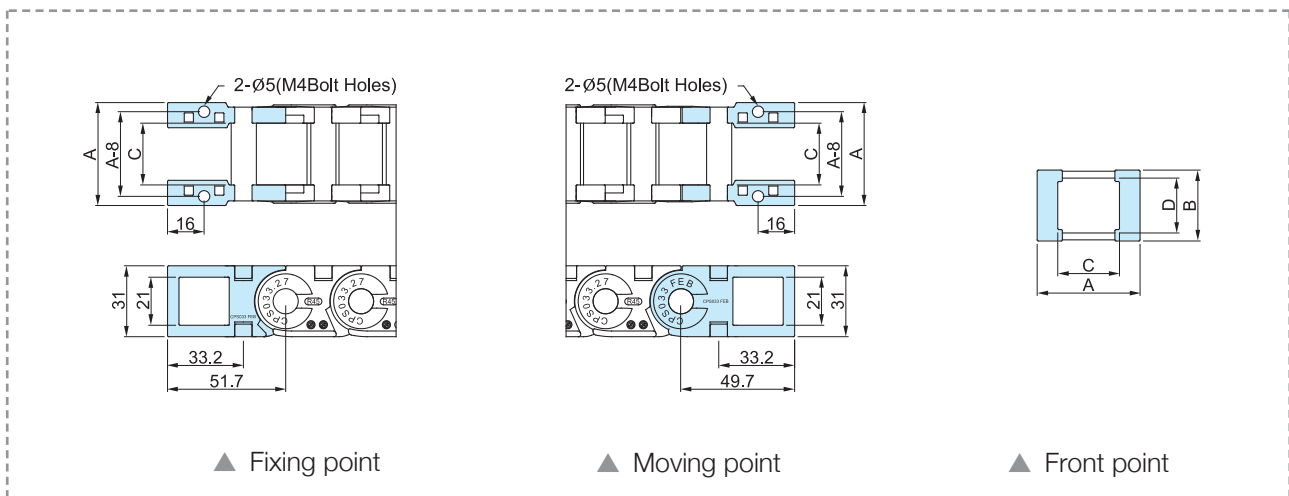


MINI Type **CPS 033**

CHAIN CROSS SECTION



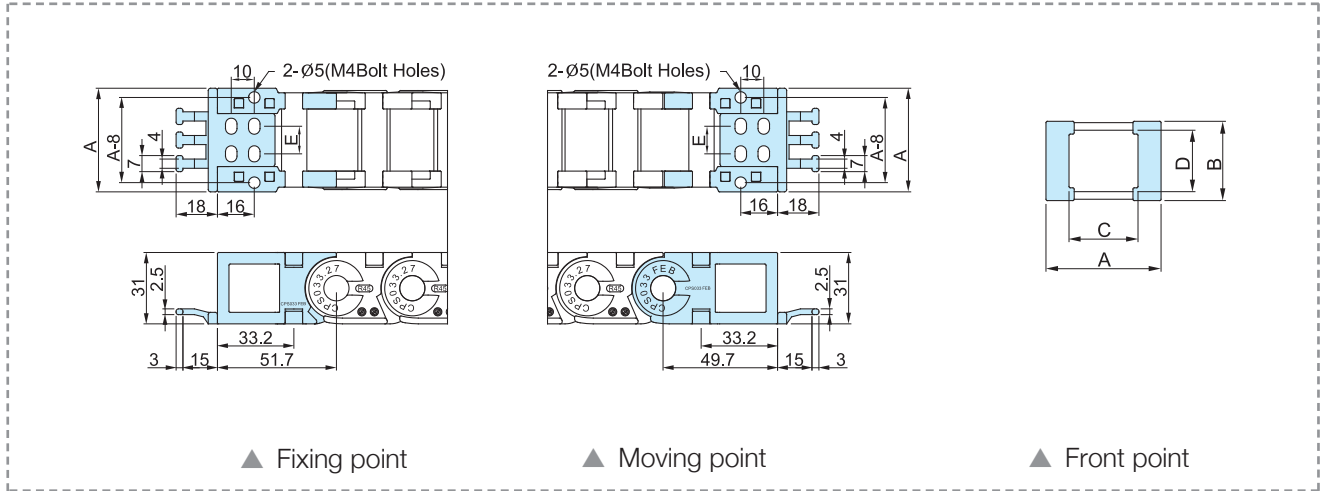
END BRACKET - Easy Type



Chain Type	F	B	C	D	Hole Type
CPS 033.27	45		27		M4 Bolt Holes
CPS 033.37	55		37		
CPS 033.47	65	31	47	23	
CPS 033.67	85		67		
CPS 033.77	95		77		

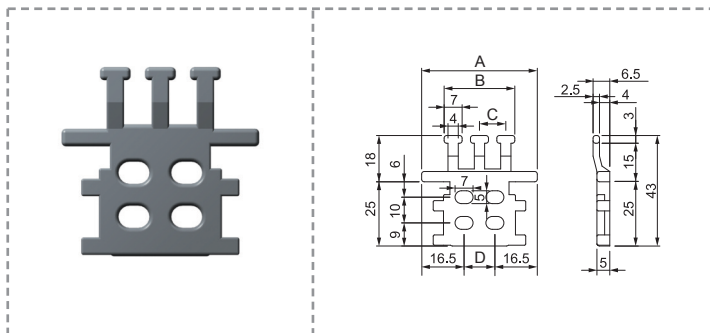
MINI Type CPS 033

EASY END BRACKET - Tie wrap connction



Chain Type	F	B	C	D	E	Hole Type
CPS 033.27	45		27		12	M4 Bolt Holes
CPS 033.37	55		37		22	
CPS 033.47	65	31	47	23	32	
CPS 033.67	85		67		52	
CPS 033.77	95		77		62	

TIE WRAP



Tie wrap prevents cut off problem of the cable by the twisting and pulling movement. The tie wrap of this CPS CABLE Chain has two types, separated with bracket type and attached with bracket type.

	27	37	47	67	77
A	45.0	55.0	65.0	85	95
B	27.5	41.0	47.9	67.9	77.9
C	10.2	8.5	10.4	10	8.8
D	12.0	22.0	32.0	52	62